

# Natural Gas and Propane Products



- ***Type P38 and P37 High Flow Regulators***
- ***Type P32 Adjustable Regulators***
- ***Type P36 Preset Regulators***
- ***Series J & G Pressure Gauges***
- ***Electropneumatic Regulators***
- ***Thermocouple & RTD Monitoring Units***

Marsh Bellofram offers over 40 years experience in regulator, diaphragm and instrument technology for the controlled flow of process air and gas. Precision, efficiency and reliability are synonymous with our name.

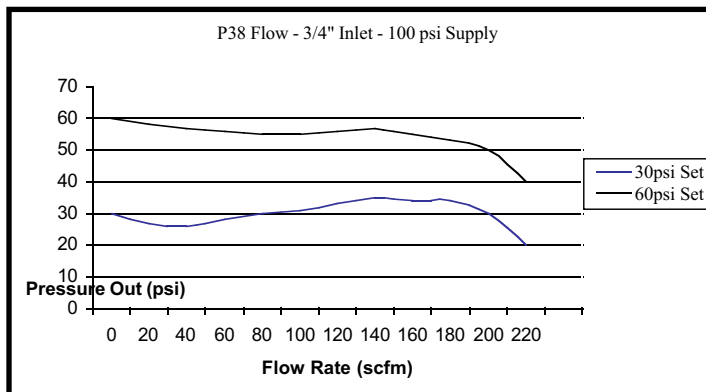
We now offer Natural Gas and Propane users the same precision in flow control, pressure control and reliability from our years of experience.

Look inside for your burner and gas control needs, from regulators to temperature measuring instruments to pressure gauges. We believe you'll find a difference in our products.

# Pressure Regulators

The P38 uses a patent pending - balanced pintle design which eliminates unsteady changes in outlet flow characteristics due to inlet pressure fluctuations. The Type P38 is a spring opposed, diaphragm - operated, non-relieving regulator. The use of a relief valve is recommended for this product in accordance with NFPA58.

## TYPE P38 HIGH FLOW/HIGH PRESSURE PRECISION GAS PRESSURE REGULATOR



### Features

- Balanced pintle design
- Bubble tight/non-relieving
- 27 Mbtu/hr (260 scfm)
- UL listed
- AGA/CGA pending

### Critical Specs

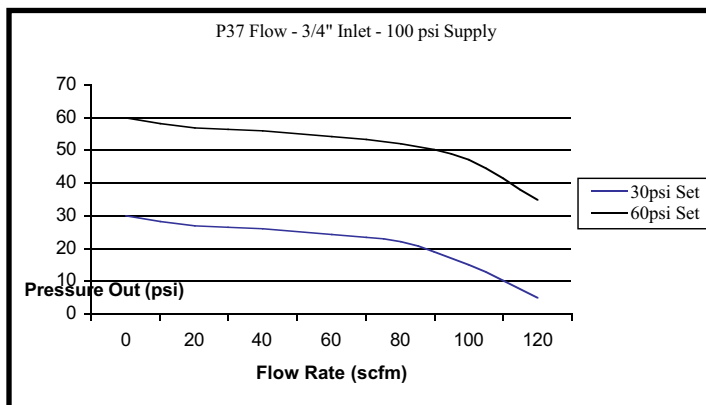
- Sensitivity — 1/2" WC
- Max. inlet pressure — 400 psi
- Port sizes — 3/8", 1/2", 3/4", 1"
- Outlet ranges — 0-30, 0-60, 0-125 psi
- Adjustment — T handle

### Benefits

- Exceptional flow accuracy
- Enclosed space use
- High volume applications
- Industry acceptance

The P37 contains the same characteristics as the P38, but at a reduced cost. It does, however, offer the same flow rates as the current market suppliers at 110 scfm (16.5 Mbtu/hr.) The use of a relief valve is recommended for this product in accordance with NFPA 58.

## TYPE P37 HIGH FLOW/HIGH PRESSURE PRECISION GAS PRESSURE REGULATOR



### Features

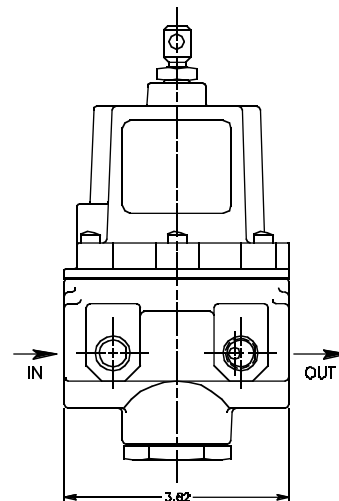
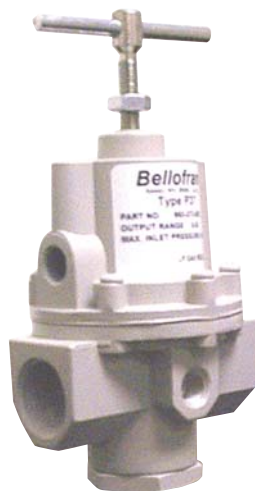
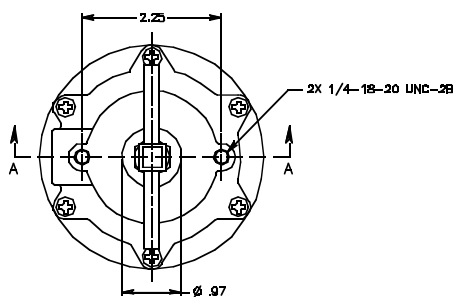
- Balanced pintle design
- Bubble tight/non-relieving
- 16.5 Mbtu/hr. (110 scfm)
- UL listed
- AGA/CGA pending

### Critical Specs

- Sensitivity — 1/2" WC
- Max. inlet pressure — 400 psi
- Port sizes — 1/2", 3/4"
- Outlet ranges — 0-10, 0-30, 0-60, 0-125 psi
- Adjustment — T handle

### Benefits

- Exceptional flow accuracy
- Enclosed space use
- High volume applications
- Industry acceptance



# Pressure Regulators

## TYPE P32 ADJUSTABLE PRECISION GAS PRESSURE REGULATORS

### Features

- 60-mesh screen
- UL/AGA/CGA listed

### Benefits

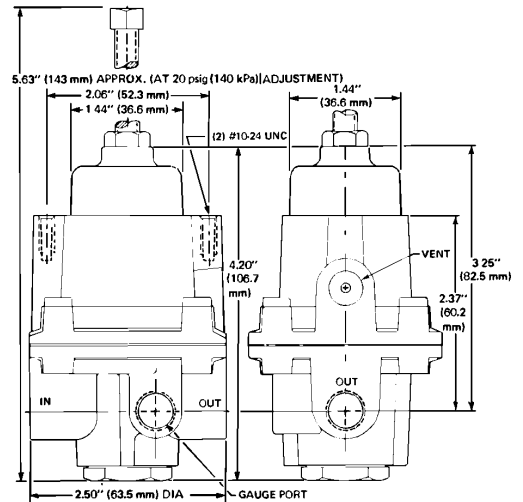
- Harmful particles blocked
- Industry acceptance

### Critical Specs

- Sensitivity — 1" WC
- Max. inlet pressure — 250 psi
- Port sizes — 1/4" NPT
- P32 Outlet ranges — 0-10, 0-30, 0-60, 0-120 psi

### Options Available

- Handwheel adjustment
- Mounted gauge
- Mounting bracket



## TYPE P36 PRESET TAMPER RESISTANT PRECISION GAS PRESSURE REGULATORS

### Features

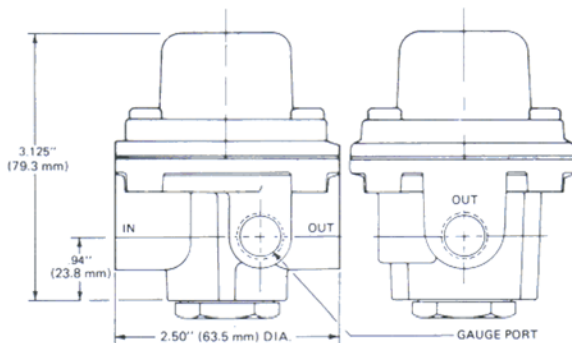
- 60-mesh screen
- Dripwell option
- UL/AGA/CGA listed

### Benefits

- Harmful particles blocked
- Release undesired moisture
- Industry acceptance

### Critical Specs

- Sensitivity — 1" WC
- Max. inlet pressure — 250 psi
- Port sizes — 1/4" NPT
- P36 Outlet ranges — 0-20, 20-40, 40-60 psi



# Pressure Instruments

## Series J, W and G Pressure Gauges

Series "J"



Series "W"



Series "G"



### Critical Specs

**Accuracy:** Grade B  $\pm 3/2/3\%$   
**Ranges:** VAC to 5,000  
**Case:** Steel or Stainless  
**Construction:** Copper alloy or stainless

**Accuracy:** Grade A  $\pm 2/1/2\%$   
**Ranges:** VAC to 10,000 psi  
**Case:** Brass  
**Construction:** Copper alloy

**Accuracy:** Grade A  $\pm 2/1/2\%$   
**Ranges:** VAC to 10 psi  
**Case:** Steel  
**Construction:** Phosphor bronze

# Electropneumatic Regulators

## Type 3215 Electropneumatic Transducer



- CE-Rated Feed and Bleed Control Section
- High-Flow (120+ SCFM) Relay Section
- Feedback from Relay Output for Higher Accuracy (1% typical)
- Integrated Packaging for Convenience
- Zero based Outputs up to 150 psi
- 3/8", 1/2", 3/4", and 1" Ports
- Supply and Output Gauge Ports
- Immunity to Vibration and Orientation
- Low-Bleed, Non-Relieving, BSPP, and BSPT Available
- Pin-For-Pin Compatible with Shielded Type 3000 Electrical Cabling
- Most Type 3000 Specials Available

## Other Marsh Bellofram Products

### Diaphragm Air Cylinders & Positioners



- Single Acting (Spring Return) and Double Acting Models Available
- Extremely Sensitive Response to Small Pressure Changes
- No Lubrication Required
- Many Modifications Available for Special Applications

### Elastomeric Diaphragms



- Single or Double Coated
- Teflon Faced or Metal Inserted
- Fabric Reinforced
- Abrasion Resistant for Slurries, Viscous Materials or Wastewater
- Dual Pressure Acting
- Sizes from 1/4" to 32" Diameter
- Temperature Ranges from -120°F to 600°F

**BelGAS**<sup>TM</sup>  
A DIVISION OF MARSH BELLOFRAM



[www.bellkin.com](http://www.bellkin.com)

#### IMPORTANT NOTICE

Marsh Bellofram does not warrant products which have been subject to misuse, abuse, negligence, accidents, misapplication, improper installation, or tampering in any way. Marsh Bellofram, in all circumstances, shall not be liable for special, indirect, or consequential damages. MARSH BELLOFRAM GIVES NO WARRANTY, EXPRESS OR IMPLIED, AS TO MERCHANTABILITY OR FITNESS FOR A PARTICULAR PURPOSE OR ANY OTHER MATTER BEYOND THAT SPECIFIED IN MARSH BELLOFRAM'S CATALOG. (Please refer to your Marsh Bellofram distributor for warranties and remedies.)