

BelGAS™ High Pressure Brass Regulator

P39 The P-39 is a direct acting, self operated, high pressure gas regulator designed for inlet pressures up to 5500 psig (379 BAR). The P-39 provides output pressures up to 500 psig (34.5 BAR) in four separate range springs. The P-39 is ideal for reducing large inlet pressures to the much lower supply pressures required for precision regulators. The rugged design of the multi-purpose P-39 makes it especially useful in Natural Gas and Propane applications.

APPLICATION

- Specially designed for the "Oil Patch" Industry
- Natural Gas "Cuts"
- Distribution Systems
- Heaters

MATERIALS OF CONSTRUCTION

Body, Bonnet, Bottom Plug	Forged Brass
Diaphragm	302 Stainless
Seat	Nylon or CTFE
Seals	TFE & Buna-N
Nozzle	316 Stainless
Filter	40 micron screen

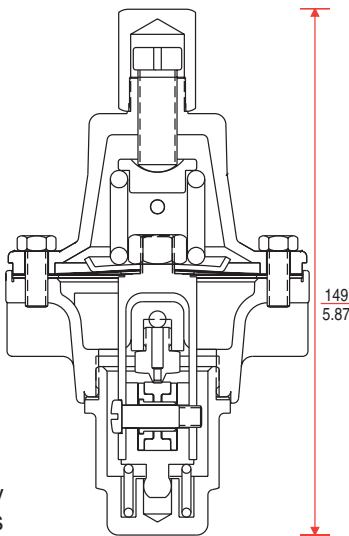
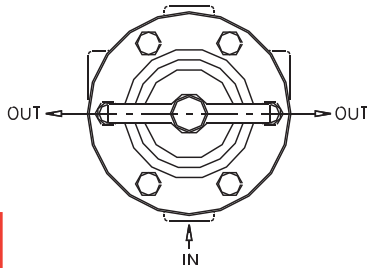
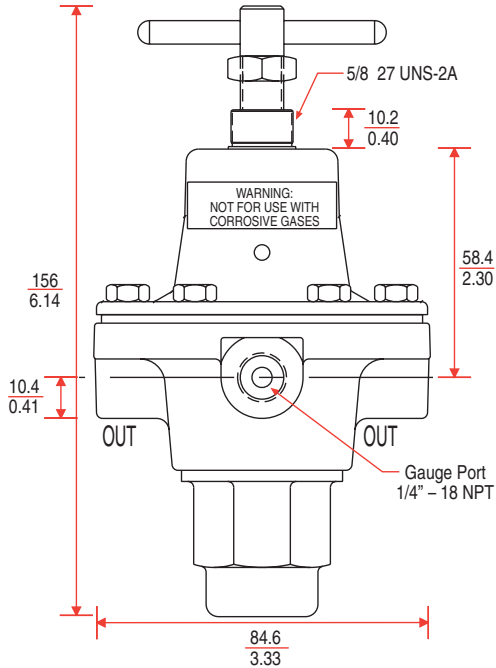
SPECIFICATIONS

Inlet	1/4" NPT
Outlet	1/4" NPT
Exhaust	4 Holes (5/32" each)
Max Inlet	5500 psig, 379 BAR
Outlet Range	.0-120 psig, 8.6 BAR
	.0-150 psig, 10.3 BAR
	.0-225 psig, 15.5 BAR
	.0-500 psig, 34.5 BAR
Temp. Range	-40°F to 225°F
	-40°C to 106°C

BelGAS™
A DIVISION OF MARSH BELLOFRAM



Product Information Model P-39 High Pressure Regulator



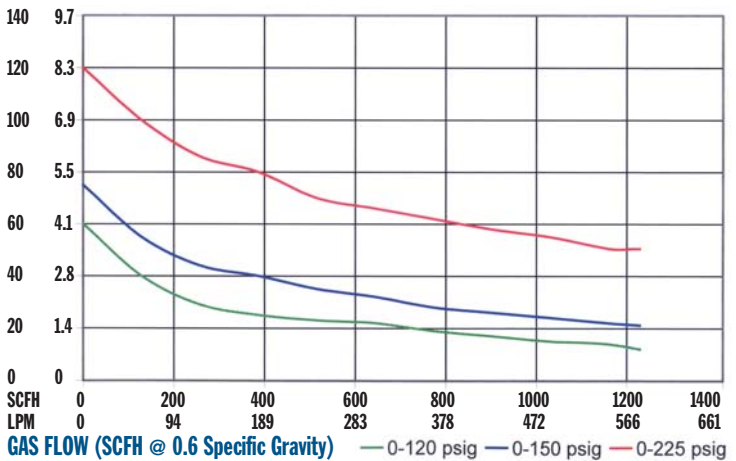
0-500 psig:
consult factory
for dimensions

ORDERING INFORMATION

Outlet Pressure psig	Adjust BAR	Method	Seat Material	Part Number
120	8.3	Allen Head	Nylon	960-344-000
120	8.3	Tee Bar	Nylon	960-344-001
150	10.3	Allen Head	Nylon	960-344-002
150	10.3	Tee Bar	Nylon	960-344-003
225	15.5	Allen Head	Nylon	960-344-004
225	15.5	Tee Bar	Nylon	960-344-005
500	34.5	Allen Head	Nylon	960-344-006
500	34.5	Tee Bar	Nylon	960-344-007
120	8.3	Allen Head	CTFE	960-344-100
120	8.3	Tee Bar	CTFE	960-344-101
150	10.3	Allen Head	CTFE	960-344-102
150	10.3	Tee Bar	CTFE	960-344-103
225	15.5	Allen Head	CTFE	960-344-104
225	15.5	Tee Bar	CTFE	960-344-105
500	34.5	Allen head	CTFE	960-344-106
500	34.5	Tee Bar	CTFE	960-344-107

PRESSURE OUT
psig BAR

P-39 HIGH PRESSURE
supply pressure 250 psig



PRESSURE OUT
psig BAR

P-39 HIGH PRESSURE
supply pressure 2000 psig

