

Type 3212 & 3222

Product Information
Model 3212 & 3222
Electronic Controller



Features

- Closed loop technology
- Integrated air volume booster
- Current/voltage command and monitor signals
- Not sensitive to mounting orientation
- High accuracy
- Weatherproof housing
- Minimal air consumption at steady state
- Port Sizes: 1/4" or 3/8" NPT Supply/Outlet
1/4" NPT relay exhaust / 10-32 UNF manifold exhaust
1/4" NPT Gauge
- Compact unit with flows up to 50 SCFM
- C E approval pending

Applications

- Automotive
- Industrial Machinery
- Web Tension Control
- Tire Manufacturing & Testing

Operational Description

The 3212 provides a non-bleeding electronic controller with flows exceeding those of most compact standard industrial electronic regulators or I/P converters. The 3212 offers analog monitoring of the output pressure by a 0-10 VDC signal.

- Many output pressures are available up to 150 psi
- Flows to 50 SCFM are possible with the compact Model 3212 electronic controller with integrated booster relay
- A reliable twin solenoid valve system, with an integral pressure sensor, controls pressures to an accuracy of $\pm .5\%$
- Custom output ranges are available

ElectroPneumatics

MB MARSH BELLOFRAM

SPECIFICATIONS

PNEUMATICS

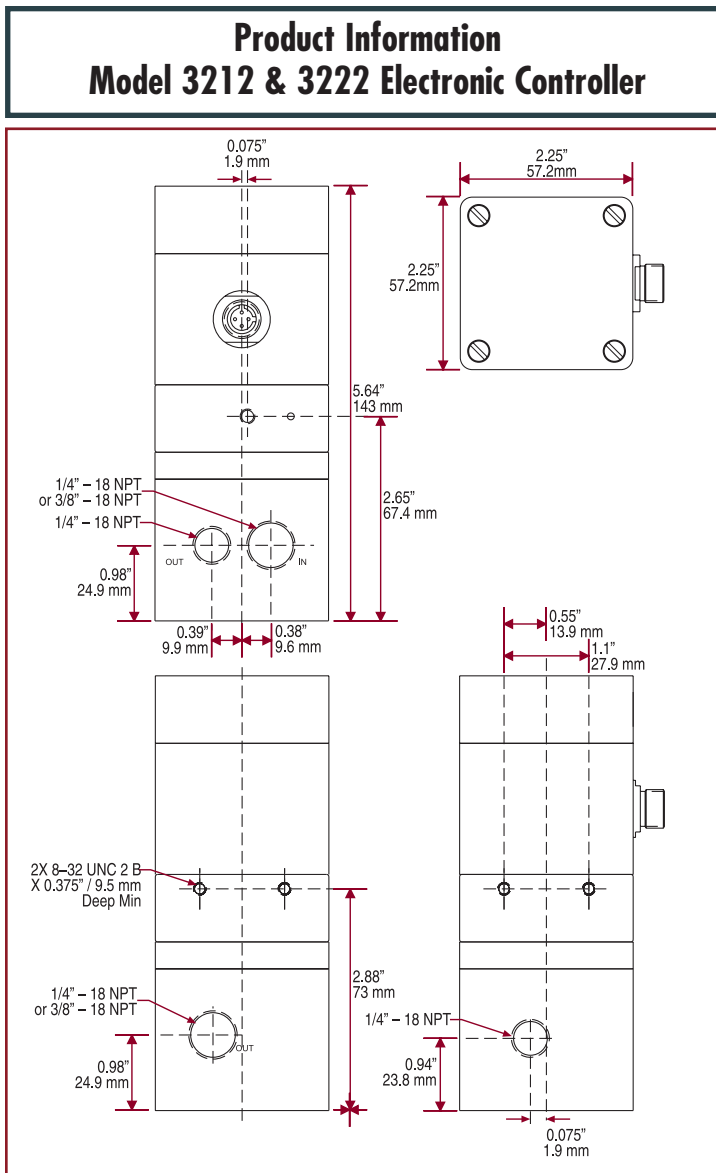
Output Pressure Ranges	0 to 150 psig (10.3 BAR)
Flow	up to 50 scfm (1,411 slpm) @ 100 psig supply pressure
Filtration	40 micron (built in)
Accuracy	± 0.5% FS Including the combined effects of Linearity, Repeatability and Hysteresis

ELECTRICAL

Supply Voltage	15-24 VDC
Supply Current	80 mA standby - 325 mA max
Command Signal	
Voltage	0-10 VDC
Current	4-20 mA
Analog Monitor Output	
Voltage	0-10 VDC
Logic Monitor Output	
CMOS (M)	0 VDC low, 12 VDC high
TTL (T)	0 VDC low, 5 VDC high
Open Collector (O)	0 VDC low, (pull up) high

ENVIRONMENTAL

Operating Temp	32 to 141°F (0 to 60°C)
Materials	
Wetted Parts	Brass, nickel, buna-N, 316 SS
Supply & Output Ports	1/4" NPT or 3/8" NPT, BSPT, BSPP
Gauge Port	1/4" NPT, BSPT, BSPP
Exhaust Port	No. 10-32 UNF Thread (manifold) 1/4" NPT, BSPT, BSPP (relay)
Weight	2 lbs. (0.9 kg)



HOW TO CREATE A 3212 & 3222 PART#

BASE MODEL NUMBER	MONITOR OUTPUT	COMMAND SIGNAL	OUTPUT PRESSURE RANGE			MOUNTING	PORT SIZE	CONNECTOR	OPTIONS												
2	2			G		P		1													
<p>1 Single loop</p> <p>2 Double loop</p>	<p>M 0-10 V Analog & CMOS Logic Output</p> <p>T 0-10V Analog TTL Logic Outputs</p> <p>O 0-10 V Analog & Open-Collector Logic Outputs</p>	<p>E 0-10 VDC</p> <p>I 4-20 mA</p> <p>others available, consult factory</p>	<p>Please indicate the lower limit of output pressure range down to 0 psig</p>	<p>G Gauge (psig)</p>	<p>Please indicate the upper limit of pressure range up to 150 psig</p>	<p>P Pipe</p>	<p>Size of Supply & Output Ports</p> <table border="1"> <tr><td>0</td><td>1/4" NPT</td></tr> <tr><td>1</td><td>1/4" BSPT</td></tr> <tr><td>2</td><td>1/4" BSPP</td></tr> <tr><td>3</td><td>3/8" NPT</td></tr> <tr><td>4</td><td>3/8" BSPT</td></tr> <tr><td>5</td><td>3/8" BSPP</td></tr> </table>	0	1/4" NPT	1	1/4" BSPT	2	1/4" BSPP	3	3/8" NPT	4	3/8" BSPT	5	3/8" BSPP	<p>1 6 Pin Micro</p> <p>POWER CORDS must be ordered separately</p>	<p>00 No Options</p> <p>Consult Factory For Options</p>
0	1/4" NPT																				
1	1/4" BSPT																				
2	1/4" BSPP																				
3	3/8" NPT																				
4	3/8" BSPT																				
5	3/8" BSPP																				

∞ If lower limit of output pressure range is more than 1 digit, consult factory.

ORDERING EXAMPLE: 222M15G0730100 - This is a double loop Type 3222, 0-10 V monitor signal with CMOS logic output, with a 4-20 mA command signal calibrated 5 to 73 psig with panel mount and no options. (a 6 pin connector is standard.)