

Type 3510 & 3520



Product Information
Model 3510 & 3520
Digital Electronic Controller

Includes FREE Software

Features

- High accuracy digital control of air pressure $\pm 0.1\%$
- Minimal air consumption at steady state pressure
- Advanced microprocessor control
- Shock resistant, position insensitive
- Waterproof housing
- PC Programmable through MS Windows® based software
- Up to 8 devices can be connected on a single line
- Accepts analog, PWM (Pulse Width Modulation) or Digital Command Signal

Applications

- Gripper Control
- Welding Operations
- Actuator Control
- Machinery Automation
- Precision Robotics
- Tire Production & Test
- Web Tension
- Semiconductor Equipment
- Molding & Forming Operations

Operational Description

The 3510 Electro-pneumatic servo pressure controller combines the advantages of reliable solenoid valves and digital control. Available with local keypad programming option or RS-485 Digital Communications for PLC or PC control.

- Dual solenoid valves with internal pressure sensor
- Advanced microprocessor control
- $\pm 0.1\%$ or better accuracy
- Proportional - Integral - Derivative (PID) control
- With a forward flow of 1.2 SCFM at 100 psi, the 3510 can be used alone for many applications or combined with a volume booster for flows in excess of 2,000 SCFM
- Ranges from 29" Hg. Vacuum to 600 psig
- Keypad display module optional

ElectroPneumatics

MB MARSH BELLOFRAM®

SPECIFICATIONS

PNEUMATICS

Output Pressure Ranges	Vacuum to 600 psig (41 BAR)
Flow	1.2 scfm (35.3 slpm)
Supply Pressure	110% of max output pressure
Filtration	40 micron (built in)
Linearity (independent)	± .1% FS
Repeatability	± .1% FS
Accuracy	± .1% FS
Hysteresis	± .1% FS

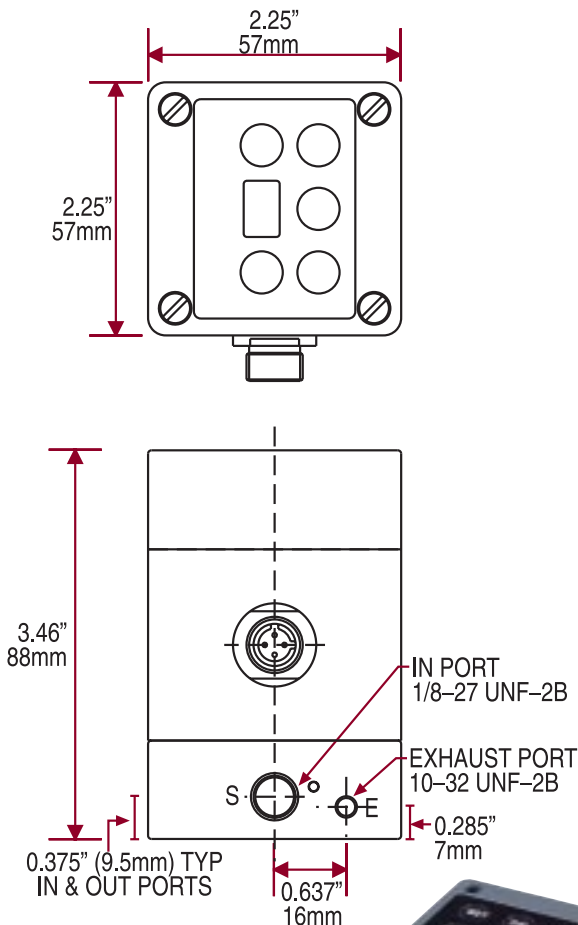
ELECTRICAL

Supply Voltage	15-24 VDC
Supply Current	80 mA standby - 325 mA max
Command Signal	
Voltage	0-10 VDC
Current	4-20 mA (sinking)
Analog Monitor Output	
Voltage	0-10 VDC
Logic Monitor Output	
TTL	OVDC Low, 5 VDC High
Open Collector	OVDC Low, (Pull Up) High

ENVIRONMENTAL

Operating Temp	32 to 141°F (0 to 60°C)
Materials	
Wetted Parts	Brass, nickel, silicon, buna-N, 316 SS
Output Port Sizes	1/8" NPT, BSPP, (side) 1/4" NPT, BSPP, (bottom)
Exhaust Port	No. 10-32 UNC Thread
Weight	1.2 lbs. (.55 kg.)

Product Information Model 3510 & 3520 Digital Electronic Controller



HOW TO CREATE A 3510 OR 3520 PART

